

HCV

series

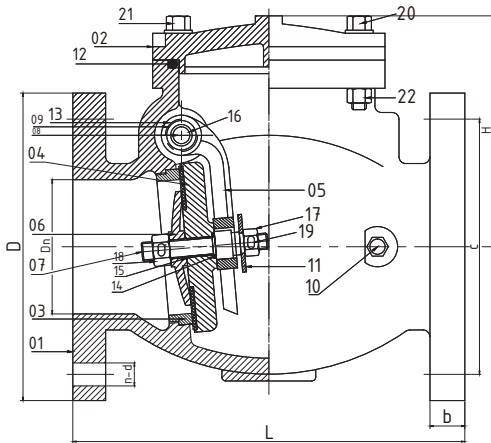


UL Swing Check Valve – Flange Ends

- Size: 2"(DN50) to 12"(DN300)
- Working Pressure: 300 PSI
- Test Pressure: 600 PSI
- Working Temp.: 0°C to 80°C (32°F to 176°F)
- Valve Standard: AWWA C508
- Connection Standard: ASME/ANSI B16.1 Class 125 or ASME/ANSI B16.42 Class 150 or BS EN1092-2 PN16 or GB/T9113.1
- Test Standard: UL312



HCV-300FF



ITEM	PARTS	MATERIAL
1	BODY	ASTM A536 65-45-12
2	BONNET	ASTM A536 65-45-12
3	SEAT RING	ASTM A148 C95400
4	DISC	ASTM A536 65-45-12
5	ROCKER ARM	ASTM A536 65-45-12
6	BAFFLE PLATE	ASTM A536 65-45-12
7	MIDDLE STEM	ASTM A276 SS304
8	PINNED STEM	ASTM A276 SS304
9	BRACKET SCREW	ASTM A351 SS304
10	PLUG	ASTM A148 C95400
11	GASKET	ASTM A276 SS304
12	O-RING (LARGE)	ASTM D2000 EPDM
13	O-RING (FOR BRACKET SCREW)	ASTM D2000 EPDM
14	O-RING (FOR MID STEM)	ASTM D2000 EPDM
15	O-RING (FOR MID STEM 2)	ASTM D2000 EPDM
16	BRONZE BUSH	POWDER METALLURGY
17	SS304 OUTER HEXAGON NUT M12	ASTM A276 SS304
18	SS304 OUTER HEXAGON NUT M12	ASTM A276 SS304
19	SS304 COTTER PIN 4×55	ASTM A276 SS304
20	M12×60 ZINC OUTER HEXAGON BOLT (FALF THREAD)	ASTM A194 2H
21	M12×40 ZINC OUTER HEXAGON BOLT (FULL THREAD)	ASTM A194 2H
22	M12 ZINC OUTER HEXAGON NUT	ASTM A194 2H

SIZES		DIMENSIONS (MM)				
Inch	mm	L	D	C	N-D	H
2"	DN 50	203	152	120.5	4-φ19	142
2.5"	DN 65	216	178	139.5	4-φ19	148
3"	DN 80	241	191	152.5	4-φ19	163.5
4"	DN 100	292	229	190.5	8-φ19	172
5"	DN 125	330	254	216	8-φ19	237
6"	DN 150	356	279	241.5	8-φ19	233
8"	DN 200	495	343	298.5	8-φ19	301
10"	DN 250	622	406	362	12-φ19	348
12"	DN 300	698	483	432	12-φ19	419